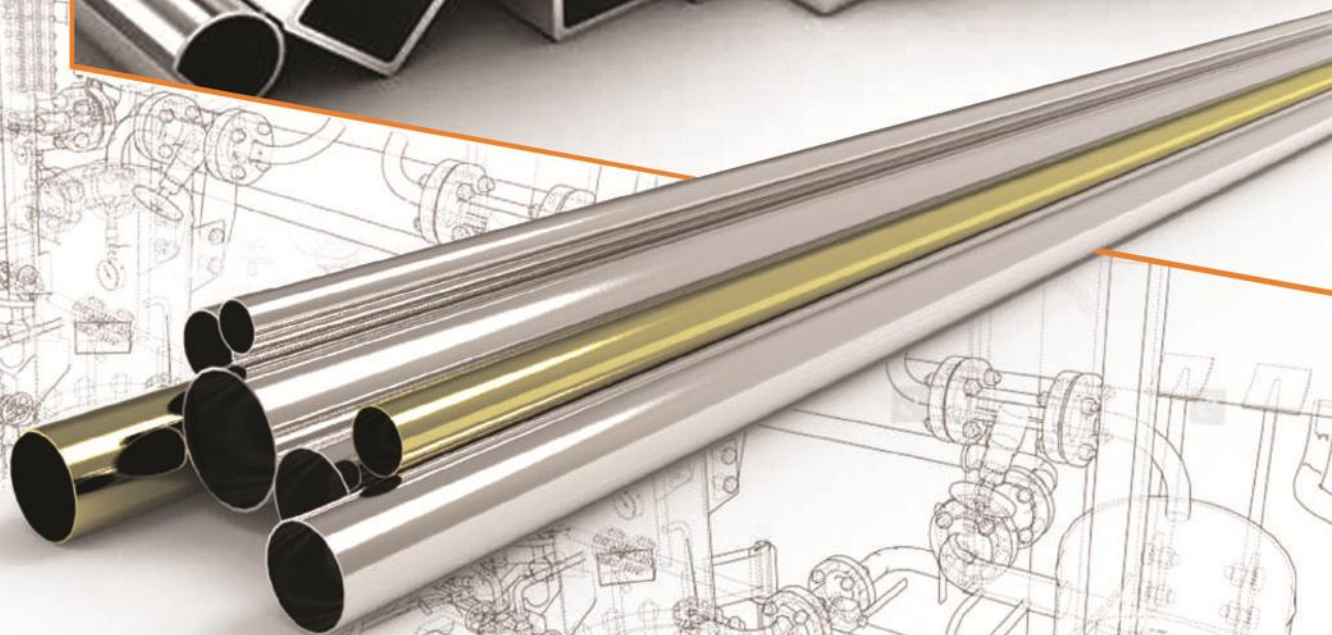
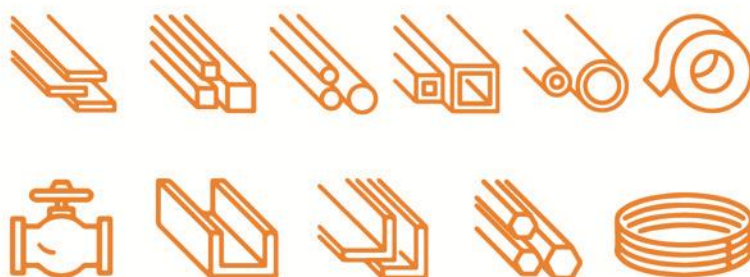




Apadana Steel Iranian
آپادانا استیل ایرانیان





Apadana Steel Iranian
آپادانا استیل ایرانیان

Diametro nominale in pollici nominal diameter in inches	Diametro esterno in mm. External diameter in mm.	ANSI B 36.19		ANSI B 36.10					
		5 s		10 s		Sched .40 s		Sched .40 s	
		mm	Kg/m	mm	Kg/m	mm	Kg/m	mm	Kg/m
1/8 -	10.29			1.24	0.281	1.73	0.371	2.41	0.476
1/4 -	13.72			1.65	0.449	2.24	0.644	3.02	0.809
3/8 -	17.15			1.65	0.640	2.31	0.858	3.20	1.118
1/2 -	21.34	1.65	0.814	2.11	1.016	2.77	1.26	3.73	1.62
3/4 -	26.67	1.65	1.034	2.11	1.298	2.87	1.68	3.91	2.19
1 -	33.40	1.65	1.312	2.77	2.125	3.38	2.50	4.55	3.23
1 1/4 -	42.16	1.65	1.674	2.77	2.735	5.56	3.38	4.85	4.46
1 1/2 -	48.26	1.65	1.926	2.77	3.155	3.68	4.05	50.08	5.40
2 -	60.33	1.65	2.424	2.77	3.992	3.91	5.43	5.54	7.47
2 1/2 -	73.03	2.11	3.747	3.05	5.345	5.16	8.62	7.01	11.40
3 -	88.90	2.11	4.585	3.05	6.557	5.49	11.28	7.62	15.25
3 1/2 -	101.60	2.11	5.272	3.05	7.526	5.74	13.56	8.08	18.62
4 -	114.30	2.11	5.945	3.05	8.496	6.02	16.06	8.56	22.29
5 -	141.30	2.77	9.639	3.40	11.740	6.55	21.76	9.52	30.92
6 -	168.28	2.77	11.514	3.40	14.037	7.11	28.23	10.97	42.52
8 -	219.08	2.77	15.049	3.76	20.334	8.18	42.49	12.7	64.57
10 -	273.05	3.40	23.028	4.57	28.290	9.27	60.24	12.7	81.46
12 -	323.85	3.96	31.806	4.57	36.633	9.52	73.76	12.7	97.36
14 -	355.60	3.98	34.99	4.78	42.102	9.52	81.21	12.7	107.28
16 -	406.40	4.19	42.35	4.78	48.220	9.52	93.13	12.7	123.18
18 -	457.20	4.19	47.7	4.78	54.300	9.52	105.05	12.7	139.07
20 -	508.00	4.77	60.32	5.53	69.766	9.52	116.97	12.7	154.97
22 -	558.8	4.77		5.53		9.52	128.89	12.7	170.86
24 -	609.6	5.54	84.10	6.35	96.215	9.52	140.81	12.7	186.75
26 -	660.4					9.52	152.73	12.7	202.65
28 -	711.6					9.52	164.65	12.7	218.45
30 -	762	6.35	120.59	7.92	147.45	9.52	176.57	12.7	234.44
32 -	812.8					9.52	188.5	12.7	250.33
34 -	863.6					9.52	200.42	12.7	266.22
36 -	914.4					9.52	212.34	12.7	282.12



Apadana Steel Iranian
آپادانا استیل ایرانیان

عرضه کننده انواع ورق، لوله، میلگرد
سیم استیل و نسوز و کلیه اتصالات
استنلس استیل

www.apadanasteelco.ir

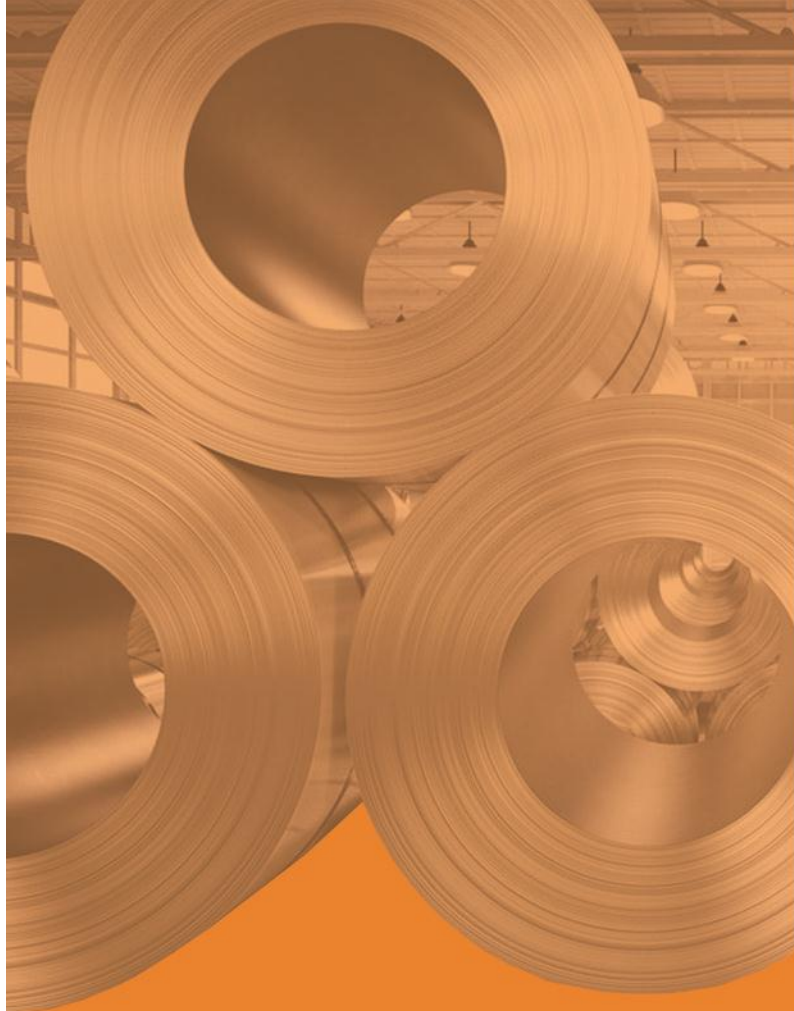
۰۹۱۳ ۰۱۳ ۶۴ ۳۰

نشانی:

اصفهان، خیابان امام خمینی
ابتدای خیابان مشیرالدوله



mm	●	■	●	mm	●	■	●	mm	●	■	●	mm	●	■	●
3	0/056	0/071	0/061	35	7/553	9/616	8/328	120	88/781	113/040	97/895	365	821/381	1045/816	905/703
3/5	0/076	0/096	0/083	36	7/990	10/174	8/818	125	96/337	122/656	106/223	370	844/039	1074/665	930/687
4	0/099	0/126	0/109	37	8/440	10/747	9/307	130	104/195	132/665	114/891	375	867/005	1103/906	956/010
4/5	0/125	0/159	0/138	38	8/903	11/335	9/817	135	112/364	143/066	123/899	380	890/279	1133/540	981/674
5	0/154	0/196	1/170	39	9/378	11/940	10/340	140	120/841	153/860	133/247	385	913/862	1163/566	1007/677
5/5	0/187	0/237	0/206	40	9/965	12/560	10/877	145	129/627	165/046	142/934	390	937/753	1193/985	1034/021
6	0/222	0/283	0/245	40	10/364	13/190	11/428	150	138/721	176/625	152/962	395	961/952	1224/796	1060/704
6/5	0/261	0/392	0/287	42	10/786	13/847	11/992	155	148/123	188/596	163/329	400	986/459	1256/000	1087/727
7	0/302	0/385	0/333	43	11/400	14/515	12/570	160	157/833	20/960	174/036	405	1011/275	1287/596	1115/090
7/5	0/347	0/422	0/382	44	11/936	15/198	13/162	165	167/852	213/716	185/084	410	1036/399	1319/585	1142/794
8	0/395	0/502	0/435	45	12/485	15/896	13/767	170	178/179	226/865	196/471	415	1081/831	1351/966	1170/837
8/5	0/445	0/567	0/491	46	13/046	16/611	14/385	175	188/814	240/406	208/198	420	1087/571	1384/740	1199/215
9	0/499	0/636	0/551	47	13/619	17/341	15/017	180	199/757	254/340	220/265	425	1113/620	1417/906	1227/942
9/5	0/556	0/707	0/614	48	14/205	18/086	15/663	185	211/010	268/666	232/672	430	1139/977	1451/465	1257/005
10	0/617	0/785	0/680	49	14/803	18/848	16/323	190	222/570	283/385	245/418	435	1166/642	1485/416	1286/408
10/5	0/680	0/865	0/750	50	15/413	19/625	16/996	195	234/438	298/496	258/505	440	1193/616	1519/760	1316/150
11	0/746	0/950	0/823	51	16/036	20/418	17/682	200	246/614	341/000	271/932	445	1222/285	1554/496	1346/233
11/5	0/815	1/038	0/899	52	16/671	21/226	18/383	205	259/100	329/896	285/698	450	1248/487	1589/625	1376/655
12	0/888	1/130	0/979	53	17/319	22/051	19/096	210	271/893	346/185	299/805	455	1276/386	1625/146	1407/417
12/5	0/963	1/227	1/062	54	17/978	22/891	19/824	215	284/994	362/866	314/251	460	1304/592	1661/060	1438/519
13	1/042	1/327	1/149	55	18/650	23/746	20/565	220	298/403	379/940	329/038	465	1333/107	1697/366	1469/962
13/5	1/124	1/431	1/239	56	19/335	24/618	21/319	225	312/122	397/406	344/164	470	1361/930	1734/056	1501/744
14	1/175	1/539	1/332	57	20/031	25/505	22/088	230	326/148	415/265	359/630	475	1391/062	1771/156	1533/866
14/5	1/296	1/650	1/429	58	20/740	26/407	22/869	235	340/483	433/516	375/436	480	1420/501	1808/640	1566/327
15	1/387	1/766	1/530	59	21/462	27/326	23/665	240	355/125	452/160	391/582	485	1450/249	1846/516	1599/129
15/5	1/481	1/886	1/633	60	22/195	28/260	24/474	245	370/076	471/196	408/068	490	1480/305	1884/785	1632/271
16	1/578	2/010	1/740	61	22/941	29/210	25/296	250	385/336	490/625	424/894	495	1510/670	1923/446	1665/756
16/5	1/678	2/137	1/851	62	23/700	30/175	26/133	255	400/903	510/446	442/059	500	1541/343	1962/500	1699/574
17	1/782	2/269	1/965	63	24/470	31/157	26/982	260	416/779	530/660	459/565	505	1572/323	2001/946	1733/734
17/5	1/888	2/404	2/082	64	25/253	32/151	27/846	265	432/963	551/266	477/410	510	1603/613	2041/785	1768/235
18	1/998	2/543	2/203	65	26/049	33/166	27/723	270	449/455	572/265	495/596	515	1635/210	2082/016	1803/076
18/5	2/110	2/687	3/327	66	26/856	34/195	29/613	275	466/256	593/656	514/121	520	1667/116	2122/640	1838/258
19	2/226	2/834	2/454	67	27/676	35/239	30/518	280	483/365	615/440	532/986	525	1699/330	2163/656	1873/779
19/5	2/344	2/985	2/585	68	28/509	36/298	31/435	285	500/782	637/616	552/192	530	1731/852	2205/065	1909/406
20	2/466	3/140	2/719	69	29/353	37/374	32/367	290	518/508	660/185	571/737	535	1764/683	2246/866	1945/841
21	2/719	3/462	2/988	70	30/081	38/465	33/312	295	536/541	683/146	591/622	340	1797/822	2289/060	1982/281
22	2/984	3/799	3/290	72	31/961	40/694	35/242	300	554/883	706/500	611/847	545	1831/269	2331/646	2019/262
23	3/269	4/153	3/596	74	33/762	42/987	37/227	305	573/534	730/246	632/411	550	1865/024	2374/925	2056/483
24	3/551	4/522	3/916	75	34/680	44/156	38/240	310	592/492	754/385	653/316	555	1899/088	2417/996	2094/043
25	3/853	4/906	4/249	76	35/611	45/342	39/267	315	611/759	778/916	647/561	560	1933/460	2461/760	2131/944
26	1/168	5/307	4/596	78	37/510	47/759	41/361	320	631/334	803/840	696/146	565	1968/140	2505/916	2170/184
27	4/495	5/723	4/950	80	39/458	50/240	43/509	325	651/217	829/156	718/070	570	2003/129	2550/465	2208/764
28	4/824	6/154	5/330	85	44/545	56/716	49/118	330	671/409	854/865	740/334	575	2038/425	2595/406	2247/685
29	5/185	6/602	5/717	90	49/939	63/585	55/066	335	691/909	855/898	741/229	580	2047/030	2640/740	2326/945
30	5/549	7/065	6/118	95	55/642	70/846	61/355	340	712/717	880/966	762/933	585	2109/944	2686/416	2326/545
31	5/925	7/544	6/533	100	61/654	78/500	67/983	345	733/833	934/346	809/167	590	2146/165	2732/585	2366/458
32	6/313	8/038	6/961	105	67/973	86/546	74/951	350	755/258	961/625	832/791	595	2182/695	2779/096	2406/765
33	6/741	8/549	7/403	110	74/601	94/985	82/259	355	776/991	989/296	856/775	600	2219/533	2826/000	2477/384
34	7/127	9/075	7/859	115	81/537	103/816	89/907	360	799/032	1017/360	881/059				



Apadana Steel Iranian
آپادانا استیل ایرانیان

۰۹۱۳ ۰۱۳ ۶۴ ۳۰ 

www.apadanasteelco.ir 

نشانی:

اصفهان، خیابان امام خمینی، ابتدای خیابان مشیرالدوله 

